

Rozwalcówka 5-cio rolkowa przeznaczona do rur i kolan ze stali kwasoodpornej zgodnych z normą DIN 11851 i 11852



Rolki	L_t	L_u
R-DIN 25	0.866	22,0
R-DIN 32	0,984	25,0
R-DIN 40	1.102	28,0
R-DIN 50	1.220	31,0
R-DIN 60	1.338	34,0
R-DIN 65	1.417	36,0
R-DIN 80	1.535	39,0
R-DIN 90	1.535	39,0
R-DIN 100	1.811	46,0

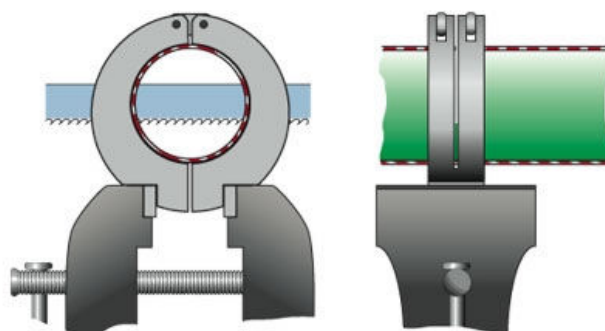
d_e cale mm	Rura		d_i		Zakres rozwalcowania		Roz-walcówka	Rolki	Trzpień	cale mm	Zalecany napęd	
	cale	mm	cale	mm	cale	mm	kod	kod	kod		Elektr.	Pneumat.
28,0 (1.102")	0.039	1,00	1.024	26,0	0.945÷1.102	24,0÷28,0	DIN/25	R-DIN25	S-DIN25	0.315" (8,0)	F90 M4/V MS/40 MS/60	Macrol 450
34,0 (1.338")	0.039	1,00	1.260	32,0	1.181÷1.338	30,0÷34,0	DIN/32	R-DIN32	S-DIN32	0.354" (9,0)	F90 M4/L M4/V	Macrol 450
40,0 (1.575")	0.039	1,00	1.496	38,0	1.417÷1.575	36,0÷40,0	DIN/40	R-DIN40	S-DIN40-BS 1.1/2"	0.472" (12,0)	F90 M4/L M4/V	Macrol 450
52,0 (2.047")	0.039	1,00	1.968	50,0	1.890÷2.047	48,0÷52,0	DIN/50	R-DIN50	S-DIN50-BS 2"	0.551" (14,0)	F90 M4/L MG/49	Macrol 200
60,0 (2.362")	0.059	1,50	2.244	57,0	2.165÷2.362	55,0÷60,0	DIN/60	R-DIN60	S-DIN60	0.630" (16,0)	F90 M4/L MG/49	Masterol 180
70,0 (2.756")	0.079	2,00	2.598	66,0	2.520÷2.716	64,0÷69,0	DIN/65	R-DIN65	S-DIN65-BS 2.1/2"	0.630" (16,0)	F90 MG/49	Masterol 180
85,0 (3.346")	0.079	2,00	3.189	81,0	3.110÷3.307	79,0÷84,0	DIN/80	R-DIN80	S-DIN80-BS 3"	0.787" (20,0)	F90 MG/49	Masterol 90
93,0 (3.661")	0.079	2,00	3.504	89,0	3.425÷3.622	87,0÷92,0	DIN/90	R-DIN90	S-DIN90-BS 3.1/2"	0.866" (22,0)	F90 MG/49	Masterol 90
104,0 (4.094")	0.079	2,00	3.937	100,0	3.858÷4.055	98,0÷103,0	DIN/100	R-DIN100	S-DIN100-BS 4"	0.866" (22,0)	F90 MG/36	Masterol 90

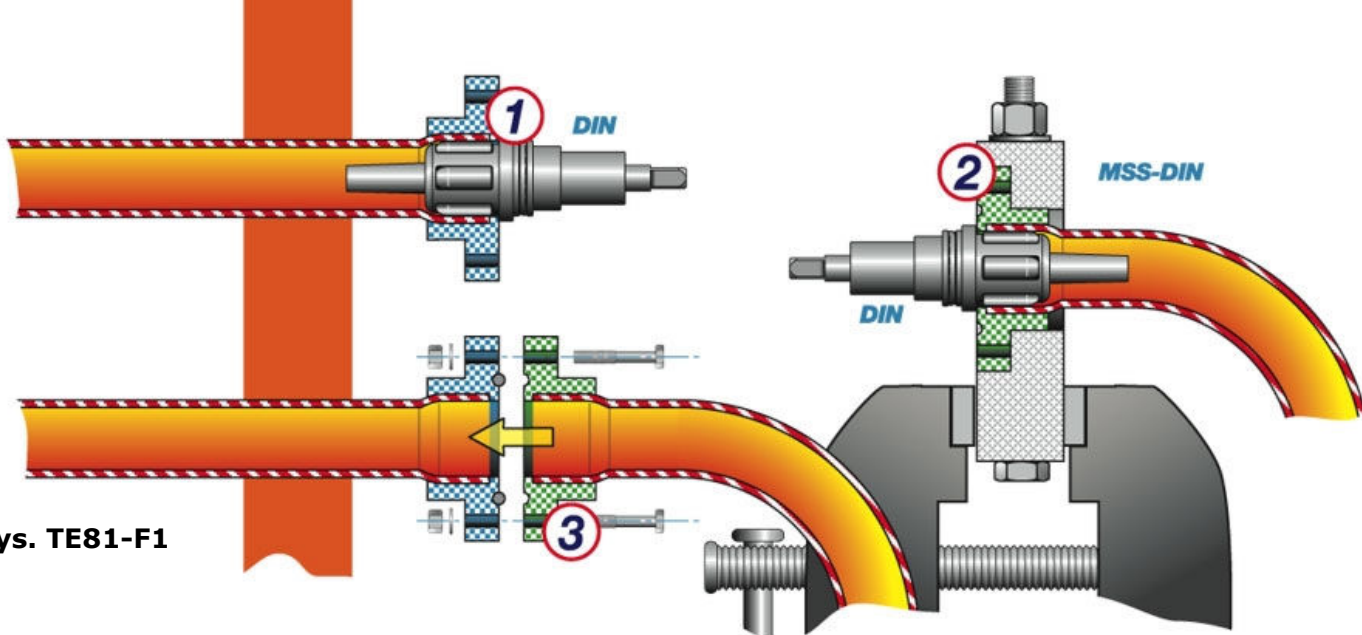
MTT-DIN

Zacisk z otworem stosowany do cięcia rur od DIN 25 do DIN 100



Rys. TE80-F1





Rys. TE81-F1

MSS-DIN

Uchwyt z pojedynczym zaciskiem stosowany przy rozwalcowywaniu rur od DIN 25 do DIN 100



d_e	MTT-DIN	MSS-DIN	MSM-DIN
mm			
cale			
	kod	kod	kod
28,0 (1.102")	MTT-DIN/25	MSS-DIN/25	MSM-DIN
34,0 (1.338")	MTT-DIN/32	MSS-DIN/32	
40,0 (1.575")	MTT-DIN/40	MSS-DIN/40	
52,0 (2.047")	MTT-DIN/50	MSS-DIN/50	R
60,0 (2.362")	MTT-DIN/60	MSS-DIN/60	
70,0 (2.756")	MTT-DIN/65	MSS-DIN/65	
85,0 (3.346")	MTT-DIN/80	MSS-DIN/80	R
93,0 (3.661")	MTT-DIN/90	MSS-DIN/90	
104,0 (4.094")	MTT-DIN/100	MSS-DIN/100	

MSM-DIN

Uchwyt z mocowaniem wielodociskowym stosowany przy rozwalcowywaniu rur od DIN 25 do DIN 50 i wymiennymi mu-fami.



R - na życzenie